

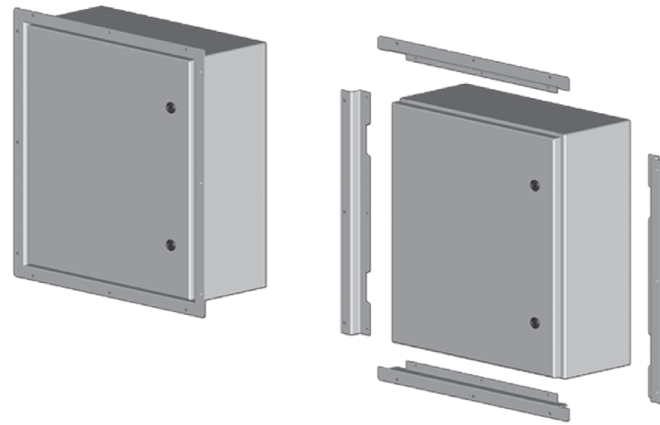
EL FLUSH MOUNT FRAME

Flush Mount Frames are designed for use with the Enviroline® Series Wall-Mount Enclosures, quickly converting the wall-mount enclosure to a flush mount enclosure.

Two part numbers are required to complete the assembly: one part number for the height of the enclosure and one part number for the width of the enclosure.

All kits are provided with hardware to assemble the frame to the enclosure and maintain the environmental rating of the enclosure. For technical information, consult our installation manual at www.saginawcontrol.com.

Frame is made of heavy gauge steel and finished with ANSI-61 gray powder coat. "SS" parts are made of heavy gauge Type 316/316L stainless steel with #4 brushed finish.



MOUNTING OPTIONS

Catalog No.	Enclosure Height	Enclosure Width	Product Code
SCE-ELFM12H	12.00		P2
SCE-ELFM16H	16.00		P2
SCE-ELFM20H	20.00		P2
SCE-ELFM24H	24.00		P2
SCE-ELFM30H	30.00		P2
SCE-ELFM36H	36.00		P2
SCE-ELFM12HSS	12.00		P2
SCE-ELFM16HSS	16.00		P2
SCE-ELFM20HSS	20.00		P2
SCE-ELFM24HSS	24.00		P2
SCE-ELFM30HSS	30.00		P2
SCE-ELFM36HSS	36.00		P2
SCE-ELFM12W		12.00	P2
SCE-ELFM16W		16.00	P2
SCE-ELFM20W		20.00	P2
SCE-ELFM24W		24.00	P2
SCE-ELFM30W		30.00	P2
SCE-ELFM36W		36.00	P2
SCE-ELFM12WSS		12.00	P2
SCE-ELFM16WSS		16.00	P2
SCE-ELFM20WSS		20.00	P2
SCE-ELFM24WSS		24.00	P2
SCE-ELFM30WSS		30.00	P2
SCE-ELFM36WSS		36.00	P2

WALL-MOUNT STANDOFFS

Wall-mount standoffs are intended to provide space between a wall-mount enclosure and the wall for better wash down accessibility that is required in some applications. Provided with silicone seals to maintain seal between the standoff and the mounting surfaces. Maintains Type 4X rating. Four standoffs and eight silicone seals per kit.



Catalog No.	Length	Product Code
SCE-WMS1SS	1.00	P2
SCE-WMS2SS	2.00	P2
SCE-WMS3SS	3.00	P2
SCE-WMS4SS	4.00	P2

POLE MOUNT KIT

Pole Mount kit designed to easily adapt to most wall-mount enclosure type such as the Enviroline® Enclosures with mounting holes through the back and HLP type with external mounting ears. Mount to various pole sizes and shapes. Includes two high strength extruded aluminum mounting channels that make for easy length modifications, two straps suitable for 3-in. to 16-in. diameter pole and mounting hardware.

Catalog No.	Height	Width	Depth	Product Code
SCE-PMK17	3.00	17.00	6.00	P2
SCE-PMK26	3.00	26.00	6.00	P2
SCE-PMK32	3.00	32.00	6.00	P2



POLE MOUNT HANGER

Used to simplify hanging larger weight enclosures and increase load strength. May be used with or without straps.

Catalog No.	Height	Width	Finish	Product Code
SCE-PMHK	5.00	5.50	Zinc	P2

MOUNTING OPTIONS

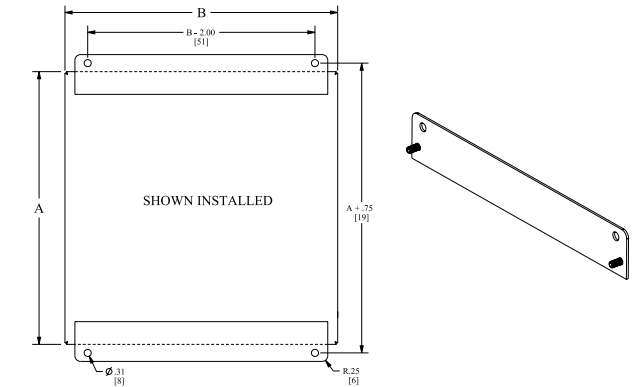
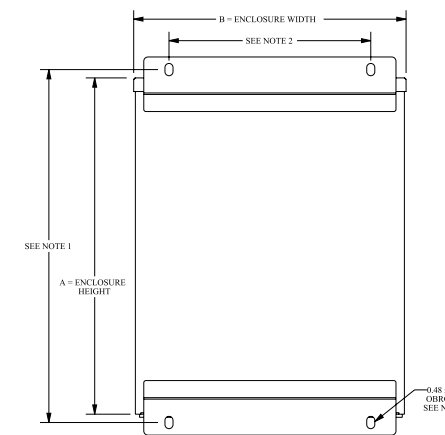
TYPE I MOUNTING STRAPS

Catalog No.	For Use With	Product Code
SCE-NMST6	6 Inch Wide NEMA 1 Enclosure	P2
SCE-NMST8	8 Inch Wide NEMA 1 Enclosure	P2
SCE-NMST10	10 Inch Wide NEMA 1 Enclosure	P2
SCE-NMST12	12 Inch Wide NEMA 1 Enclosure	P2
SCE-NMST16	16 Inch Wide NEMA 1 Enclosure	P2
SCE-NMST20	20 Inch Wide NEMA 1 Enclosure	P2
SCE-NMST24	24 Inch Wide NEMA 1 Enclosure	P2

Designed to install on wall-mount Type 1 enclosures. Two mounting straps per kit. Made of heavy gauge carbon steel, powder coated ANSI-61 gray. Hardware is included to fasten mounting strap kit to the enclosure. For installation information, consult our installation manual at www.saginawcontrol.com.

Provided with UL Recognized sealing washer to maintain Environmental Rating of the enclosure.

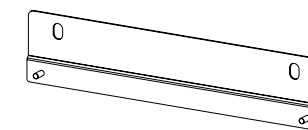
Catalog No.	For Use With	Product Code
SCE-MST4	4 Inch Wide 3R Enclosure	P2
SCE-MST6	6 Inch Wide 3R Enclosure	P2
SCE-MST8	8 Inch Wide 3R Enclosure	P2
SCE-MST10	10 Inch Wide 3R Enclosure	P2
SCE-MST12	12 Inch Wide 3R Enclosure	P2
SCE-MST16	16 Inch Wide 3R Enclosure	P2
SCE-MST20	20 Inch Wide 3R Enclosure	P2
SCE-MST24	24 Inch Wide 3R Enclosure	P2



TYPE 3R MOUNTING STRAPS

Designed to install on wall-mount Type 3R enclosures. Two mounting straps per kit. Made of heavy gauge carbon steel, powder coated ANSI-61 gray. Hardware is included to fasten mounting strap kit to the enclosure. For installation information, consult our installation manual at www.saginawcontrol.com.

Provided with UL Recognized sealing washer to maintain Environmental Rating of the enclosure.



MOUNTING STRAPS FOR VENTED 3R ENCLOSURES

Catalog No.	For Use With	Product Code
SCE-VRMS24	24 Inch Wide Vented 3R Enclosure	P2
SCE-VRMS36	36 Inch Wide Vented 3R Enclosure	P2

Designed to install on wall-mount Vented 3R enclosures. Two mounting straps per kit. Made of heavy gauge carbon steel, powder coated white. Hardware is included to fasten mounting strap kit to the enclosure.

Provided with UL Recognized sealing washer to maintain Environmental Rating of the enclosure.